

# EXSITE LAMPS

## RECESSED LED DOWNLIGHT



### INSTALLATION MANUAL

Read this instruction carefully before commencing installation and keep it for future reference.  
 Always switch off the mains before installation or maintenance.  
 Keep the product far from heat sources and in a well ventilated area.  
 The installation or maintenance should be carried out by a qualified electrician.

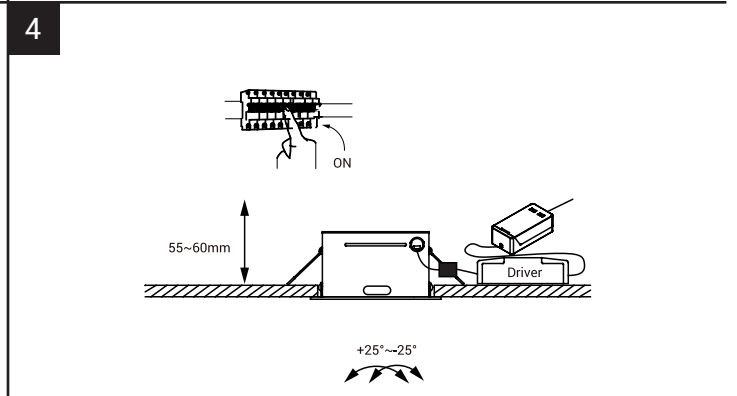
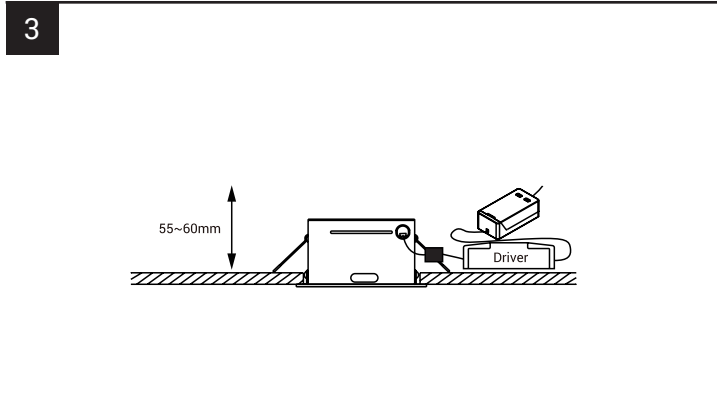
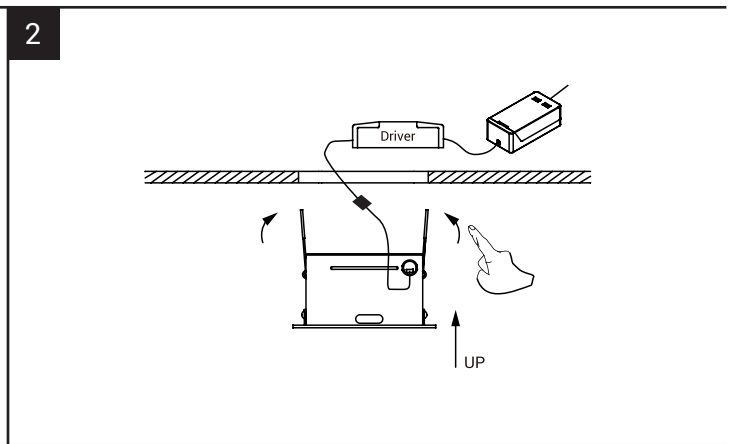
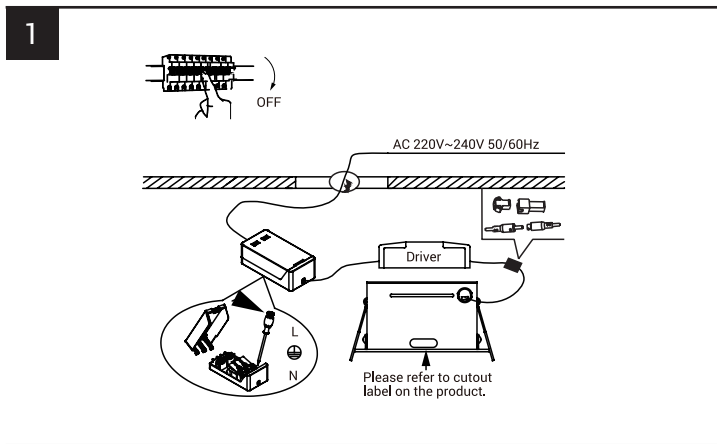
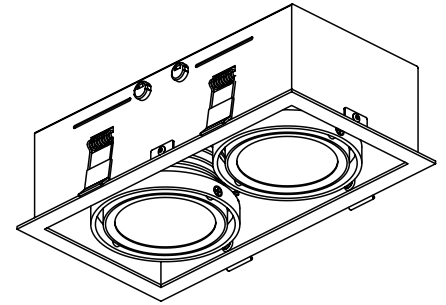
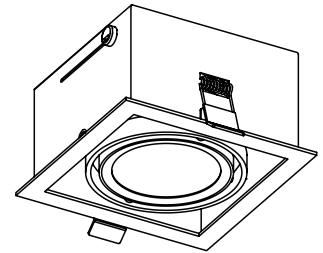
The minimum distance from the luminaire to any lighted objects shall be kept at least 0.3m.

The light source contained in this luminaire shall only be replaced by the manufacturer or his service agent or a similar qualified person.

This luminaire is not suitable for covering with insulation materials.

- 1.5-1.0mm<sup>2</sup>
- 1.5-2.5mm<sup>2</sup>

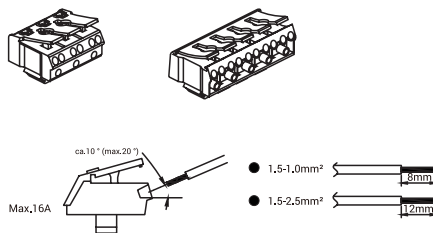
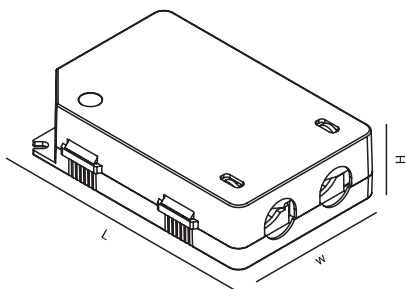
IP21 RoHS



# USERS GUIDE

SLK 3/5 Linect Quick Terminal Box  
QT002 3/5 Linect

1



Material: Polypropylene with fire self-distinguishing  
Dimension (L x W x H): 89 x 60 x 23mm

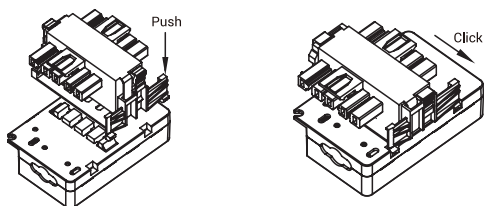
Suitable for use with screwless terminals from  
ELECTRO TERMINAL

- SLK 3
- SLK 3 LINECT
- SLK 3/5
- SLK 3/5 LINECT

Compatible with all linect approved connection systems  
([www.li-nect.com](http://www.li-nect.com))

2

## CONNECT with Li-nect Devices



3

## CONNECT with Normal Cabling

