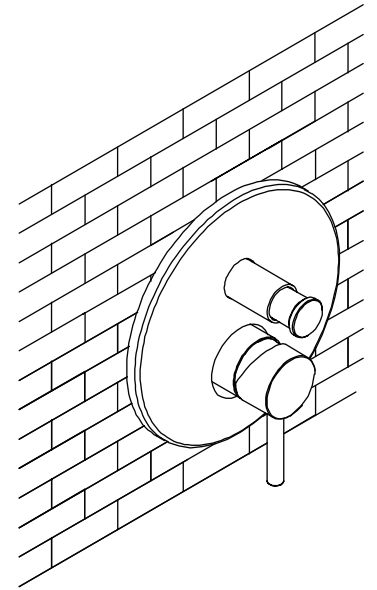
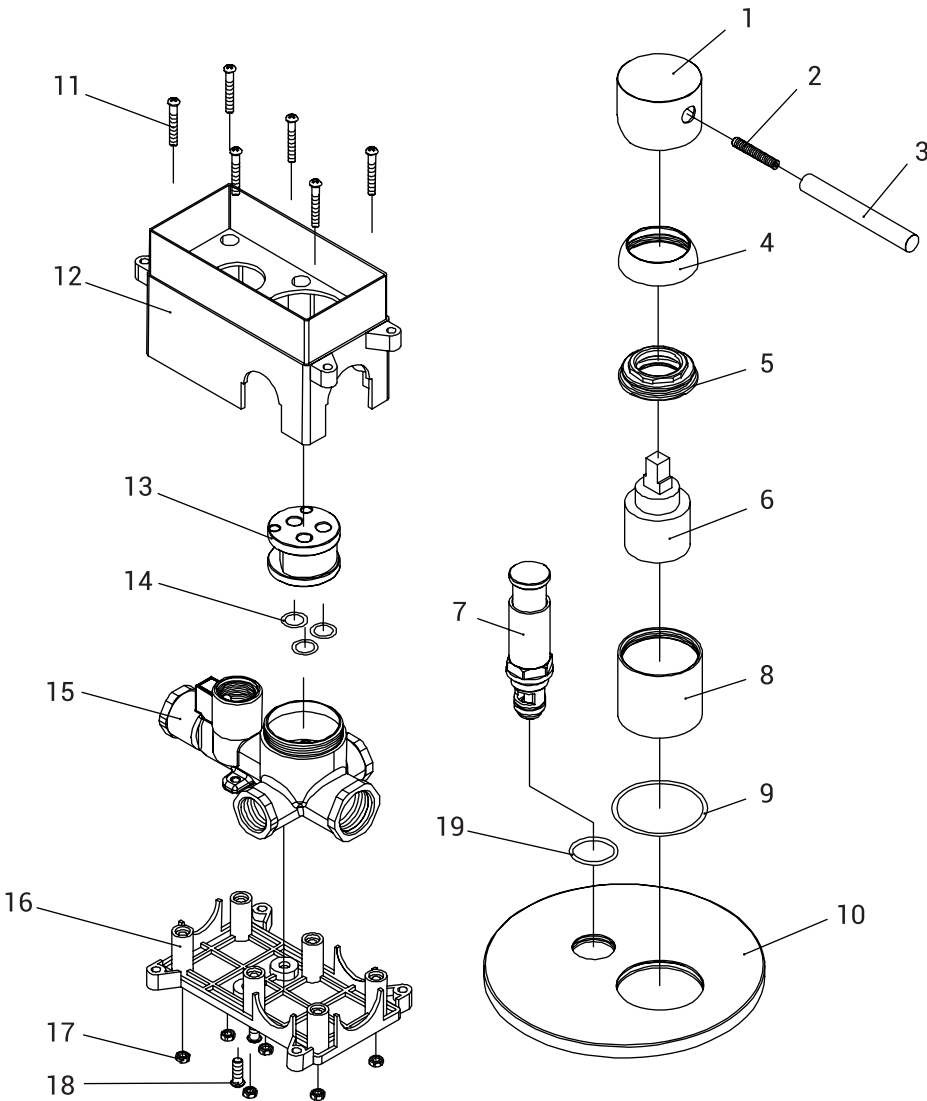


CLASSWELL C16

PULCHER®

INSTALLATION MANUAL



No.	Description	Qty
1	Handle body	1
2	M6 screw	1
3	Handle lever	1
4	Cartridge cover	1
5	Cartridge cap	1
6	40 Cartridge	1
7	Diverter component	1

No.	Description	Qty
8	Valve	1
9	O-ring	1
10	Cover	1
11	M4 screw	4
12	Concealed box	1
13	Cartridge sitting	1
14	O-ring	3

No.	Description	Qty
15	Body	1
16	Concealed box	1
17	M4 Hexagon nut	6
18	M5 screw	2
19	O-ring	1

