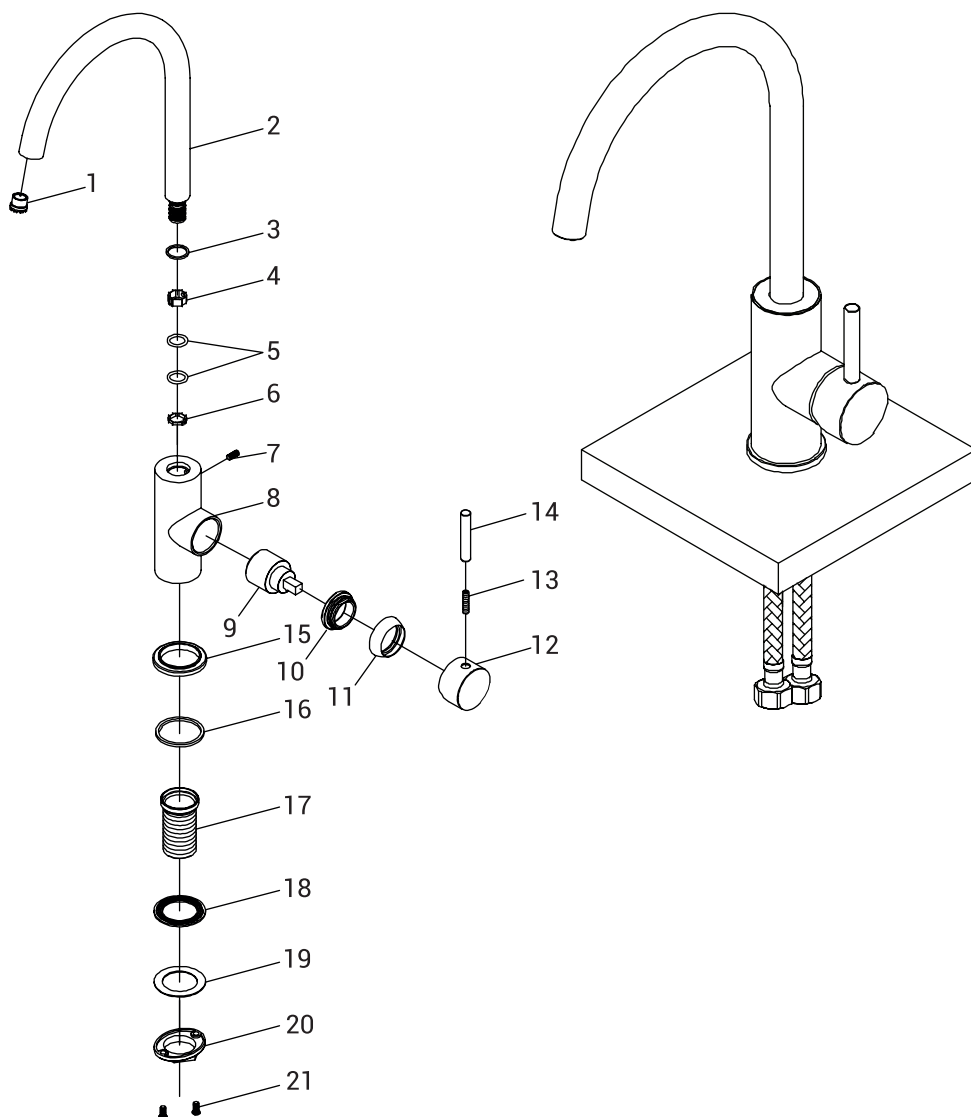


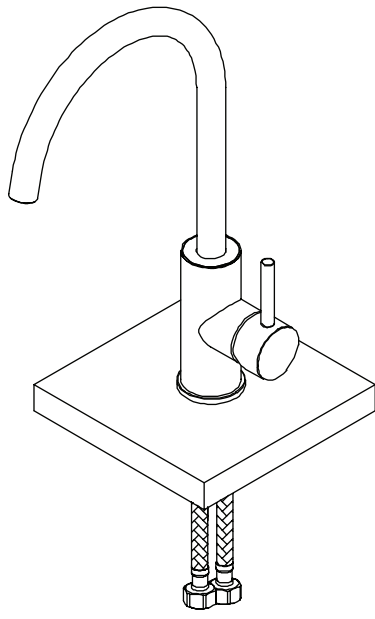
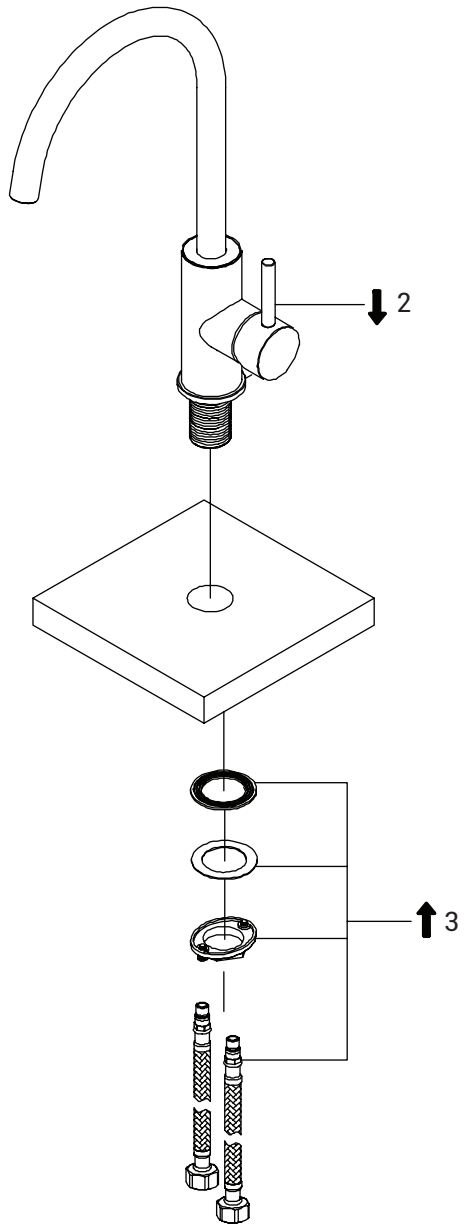
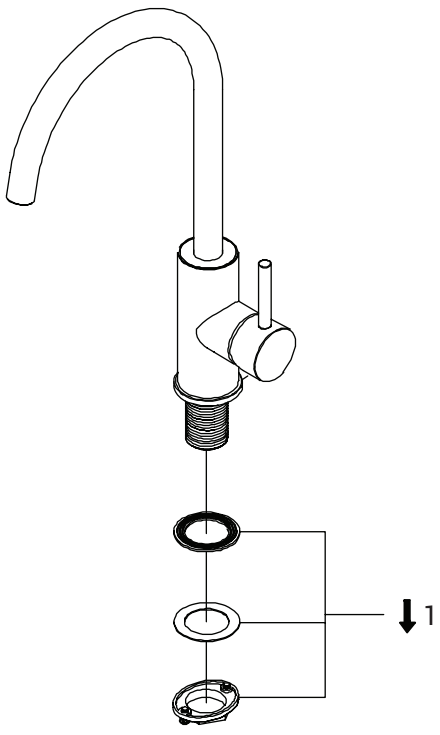
CLASSWELL C06

PULCHER®

INSTALLATION MANUAL

No.	Description	Qty
1	Aerator	1
2	Spout	1
3	Plastic ring	1
4	Plastic Circlip	1
5	O-ring	2
6	Plastic Circlip	1
7	M5 screw	1
8	Body	1
9	35 Cartridge	1
10	Cartridge cap	1
11	Cartridge cover	1
12	Handle body	1
13	M6 screw	1
14	Handle lever	1
15	Base	1
16	Cover ring	1
17	Fixed tube	1
18	Rubber ring	1
19	Stainless steel ring	1
20	Locking nut	1
21	M6 screw	1





4