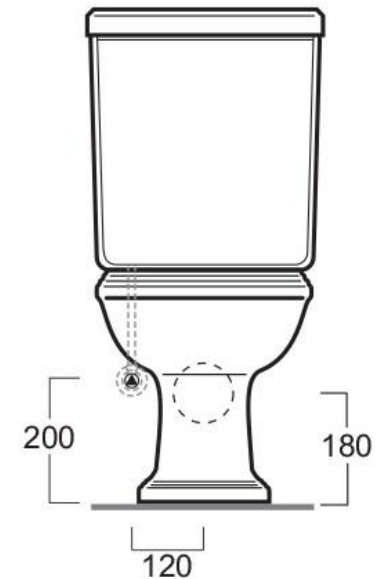
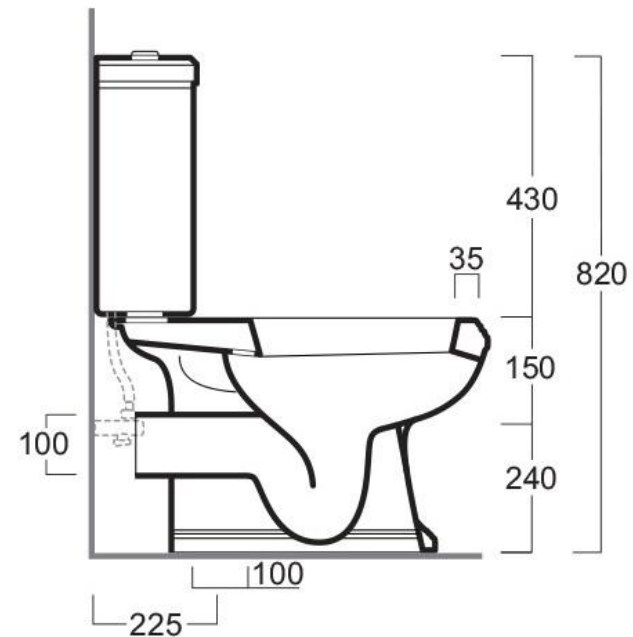
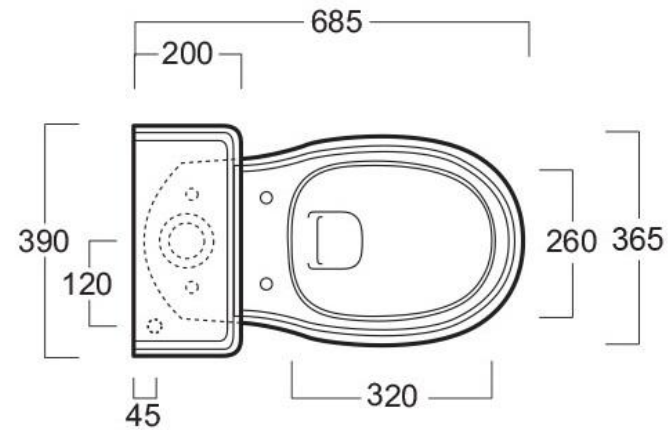


Old England Arcade AR-831

Art.no.: 715261418



Technical information:

Measurements: 68,5 x 36,5 x 39h cm.

Close coupled WC with wall outlet and cistern with lid.
White porcelain can withstand cleaning and descaling.

Designed by Terri Pecora.