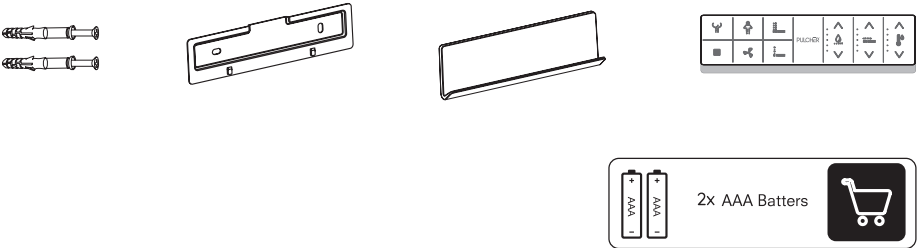
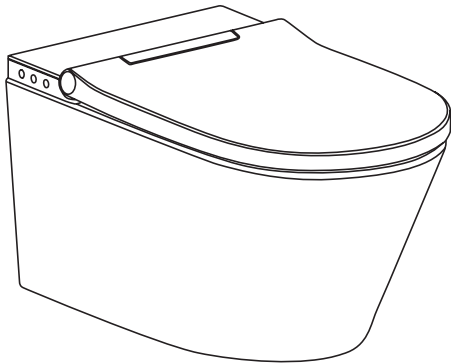
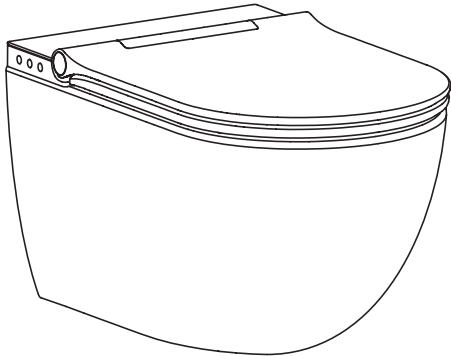
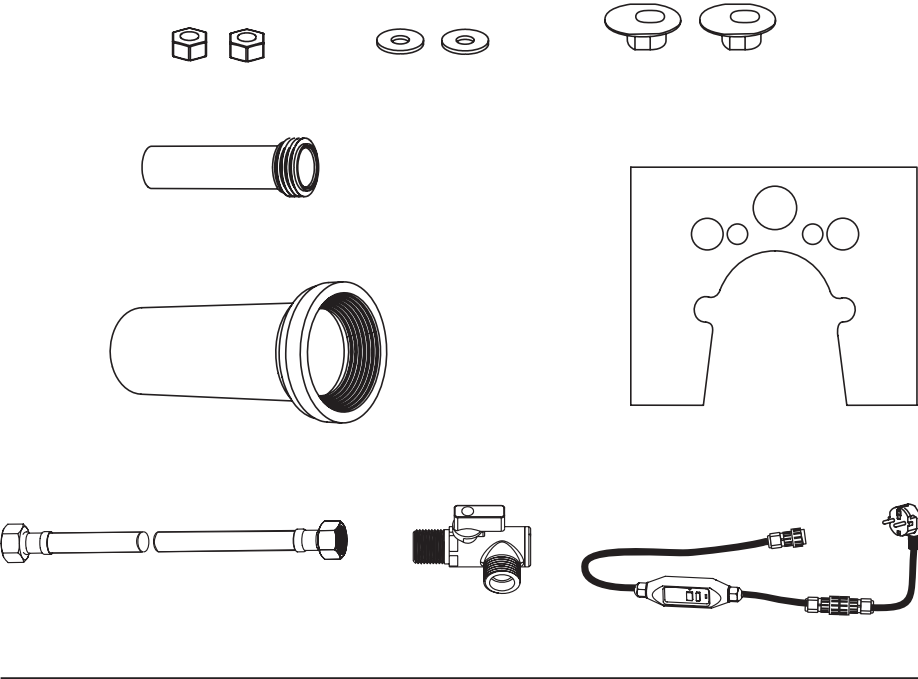


SMART TOILET



INSTALLATION INSTRUCTIONS



SAFETY INFORMATION

Please read these instructions carefully and observe all safety regulations during installation and use of the shower toilet.

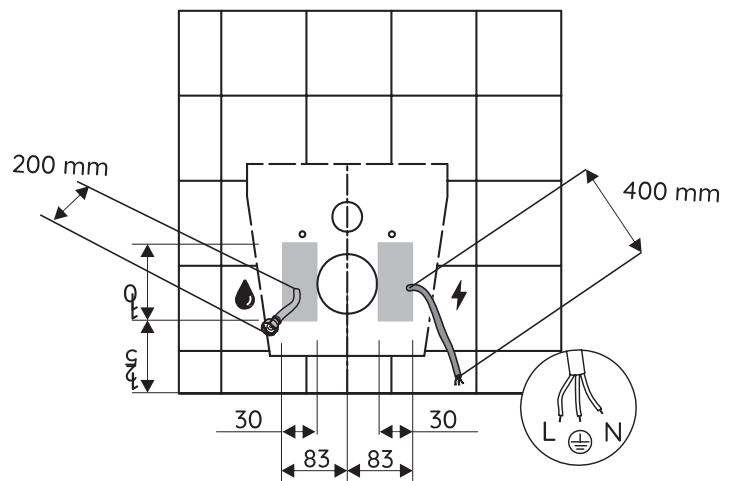
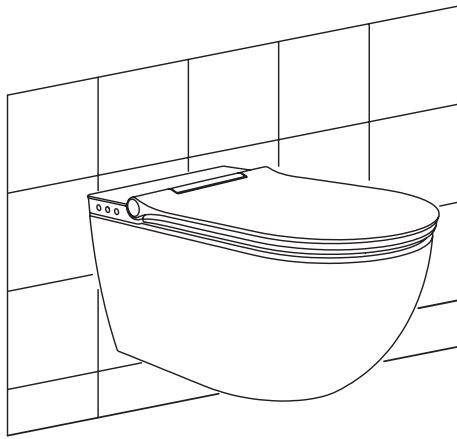


- The legal regulations of the respective country, the local electricity supply company and the water company must be observed.
- The shower toilet is an appliance of protection class I and must be connected to the protective earth conductor. The earth cable must always be connected first when making the electrical connection. Special protective measures apply to electrical installations in rooms with showers and/or bathtubs. They must be installed in such a way that there is no risk of electric shock in the wet rooms.
- This shower toilet complies with protection class IPX4, so no part of the shower toilet in the bathroom may be placed in zones 0 or 1. Zone 2 starts from an area 60 centimetres outside the shower and/or bathtub. The shower toilet may only be connected outside zones 0 and 1.
- The shower toilet must be connected to the mains by a qualified and authorised specialist company and in accordance with IEC 364-7-701, VDE 0100 Part 701.
- Do not bend or kink the water inlet hose too much, as this can lead to leaks.
- The shower toilet is not allowed to be operated without a connected water supply. The shower toilet may only be installed and operated in a well-ventilated and frost-free room.
- Wipe the shower toilet with a damp cloth only. Do not use harsh or abrasive cleaners on any plastic. Do not steam clean.
- The toilet must not be installed in a location where it may be exposed to high temperatures.
- Use this product only for its intended purpose. Only use accessories recommended by the manufacturer and do not operate the shower toilet outdoors.
- Children and persons with reduced physical, sensory or other capabilities must be supervised or informed in advance about the correct use of this appliance.
- Do not climb or stand on the toilet.
- If the appliance does not work properly, disconnect it from the mains and close the water supply valve immediately before contacting a qualified specialist.
- If the power cable or RCD are damaged in any way, the power supply must be disconnected until the damaged component is replaced. Contact a qualified specialist company.
- In the event of damage to the power cable, you must have a qualified specialist company replace the cable.
- Unprofessional repairs are dangerous.
- Repairs may only be carried out by qualified specialist companies.
- Do not force the toilet seat down as this may damage the mechanism.
- A faulty appliance can cause an electric shock. Never switch on a faulty appliance.
- Before calling for help, switch off the power at the fuse box of the building installation and then disconnect the mains plug.

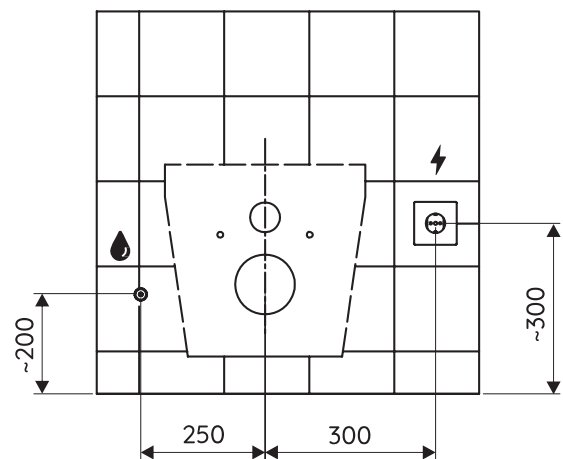
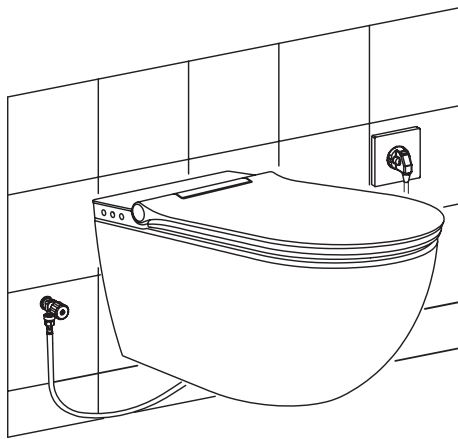
Installation and first start-up must be carried out by a specialist in accordance with the enclosed user manual. The safety instructions in the user manual must be observed.

We accept no liability for damage caused by failure to observe these instructions and the user manual.

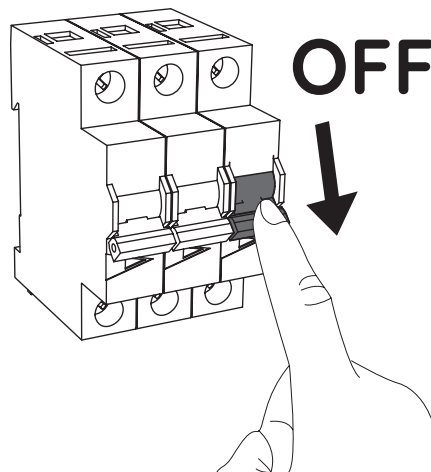
INSTALLATION TYPE A → **1**



INSTALLATION TYPE B → **26**



1



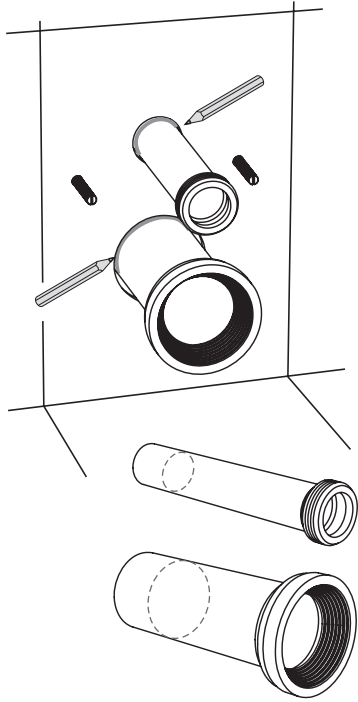
- EN** Voltage: 230V~
Frequency: 50Hz
Protection: IPX4
- DE** Spannung: 230V~
Frequenz: 50Hz
Schutz: IPX4
- FR** Tension : 230V~
Fréquence: 50Hz
Protection: IPX4

EN It should only be carried out by qualified technicians! In accordance with IEC 364-7-701, VDE 0100 Part 701 and all applicable national and local regulations

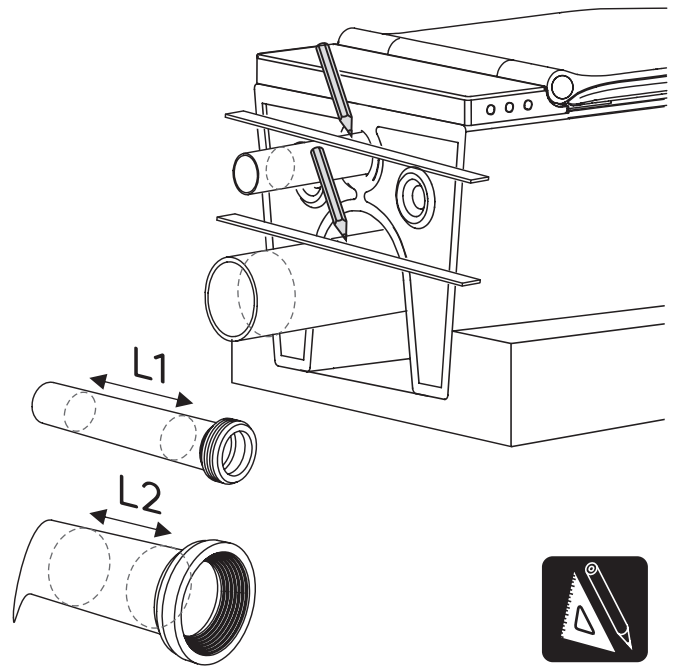
DE Es sollte nur von geschultem Personal durchgeführt werden! Nach IEC 364-7-701, VDE 0100 Teil 701 und allen geltenden nationalen und örtlichen Vorschriften

FR À ne réaliser que par un personnel qualifié! Conforme aux normes CEI 364-7-701, VDE 0100 partie 701 et toutes les réglementations nationales et locales en vigueur

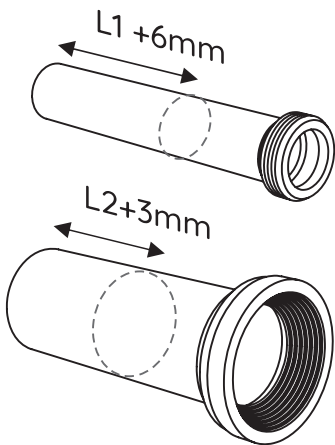
2



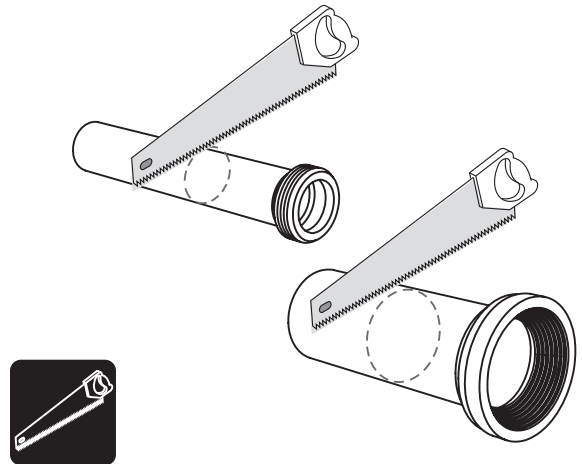
3



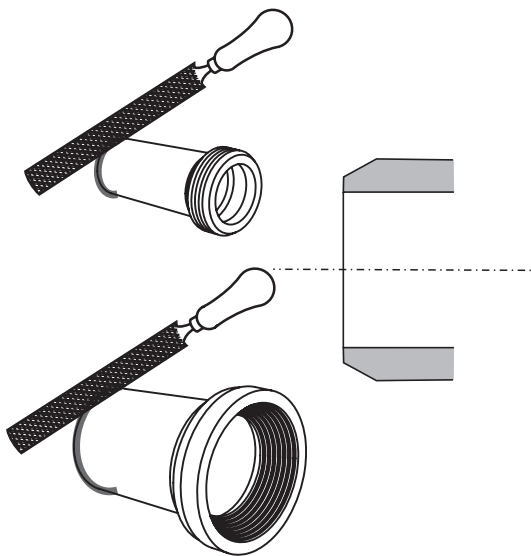
4



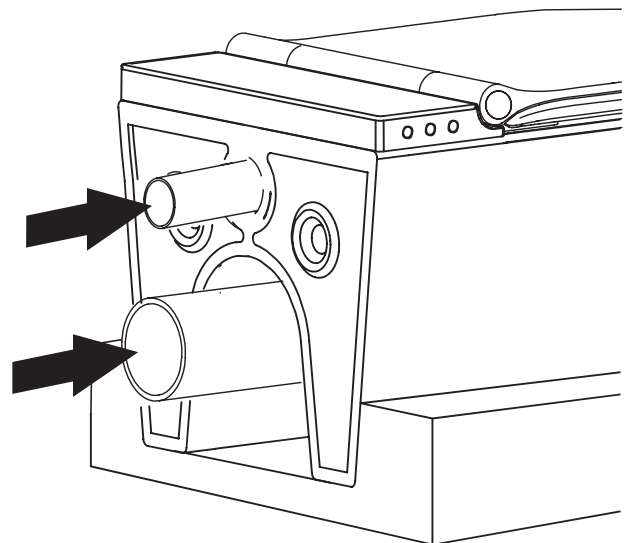
5



6

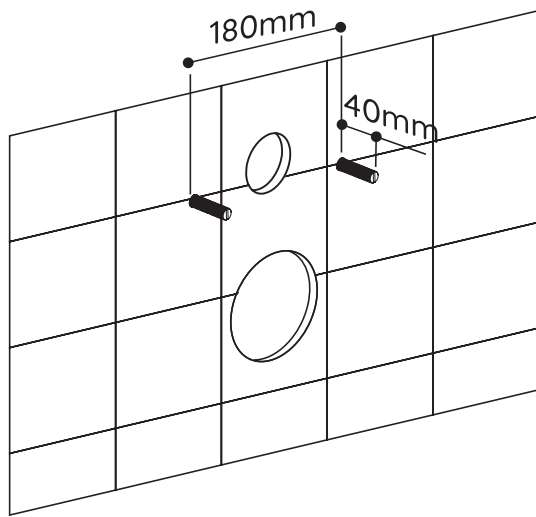


7

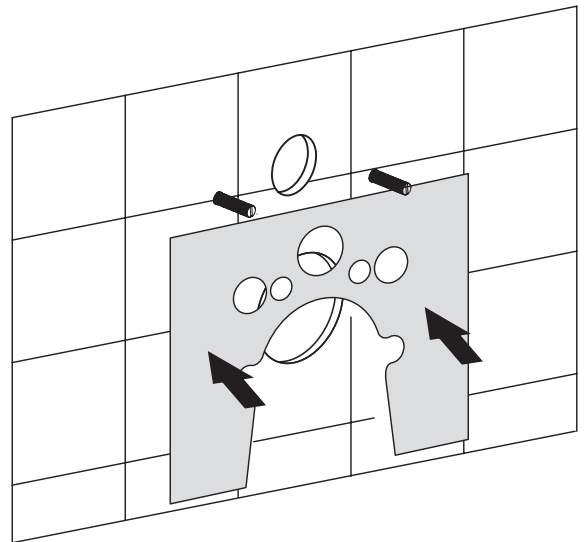


INSTALLATION TYPE A

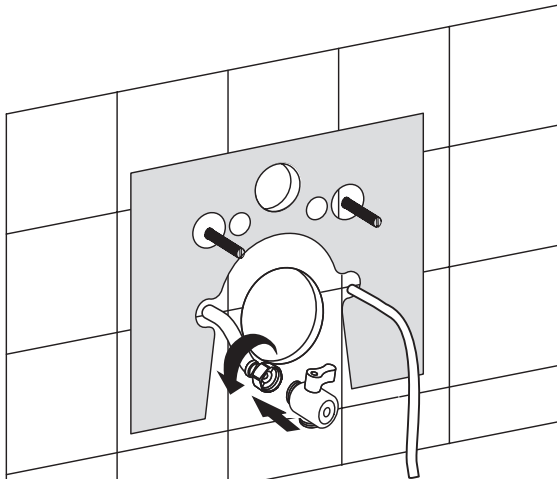
8



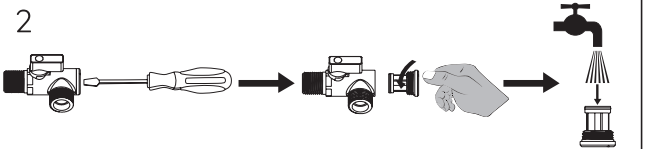
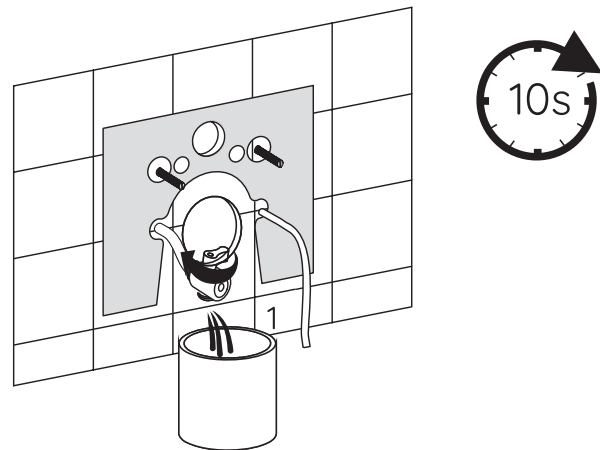
9



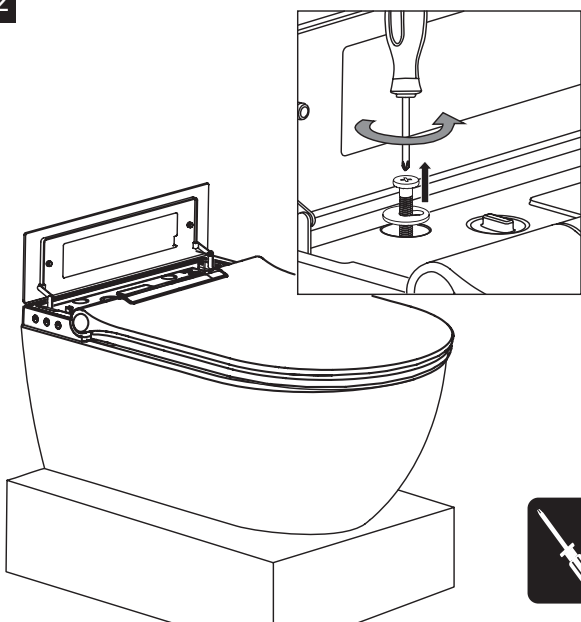
10



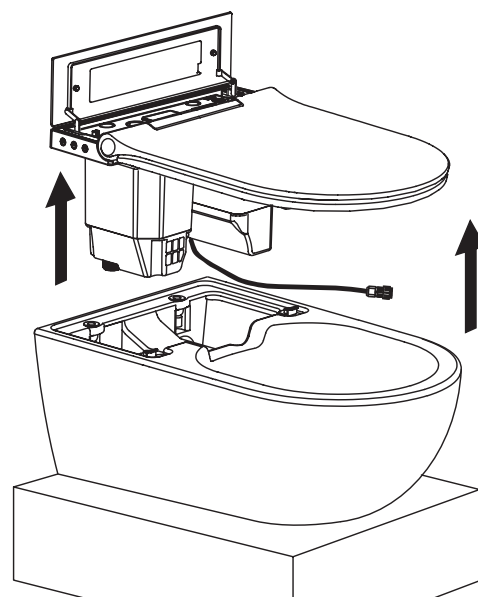
11



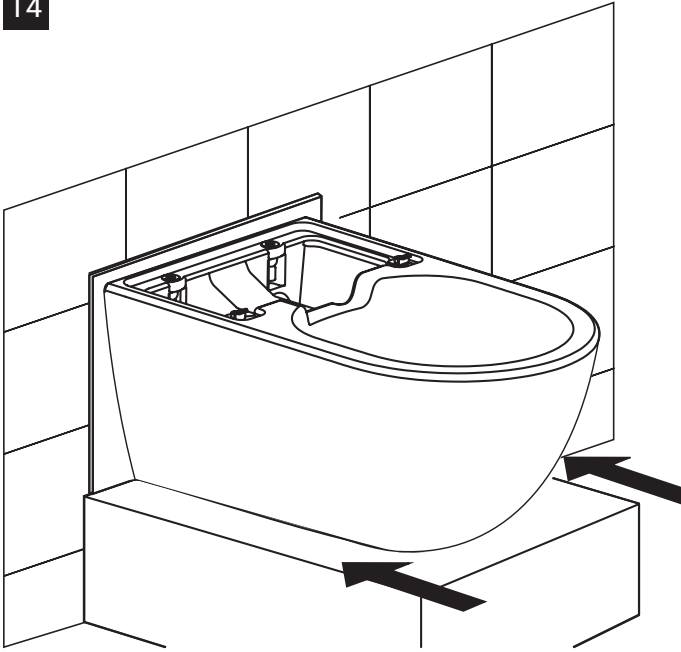
12



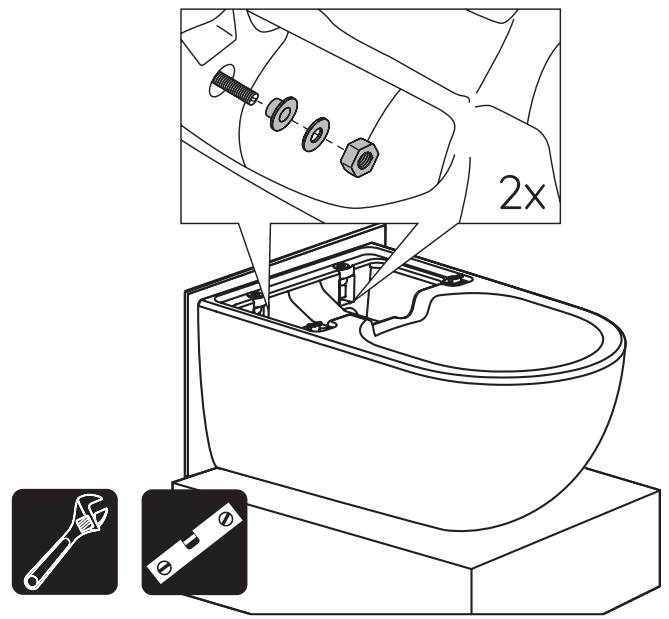
13



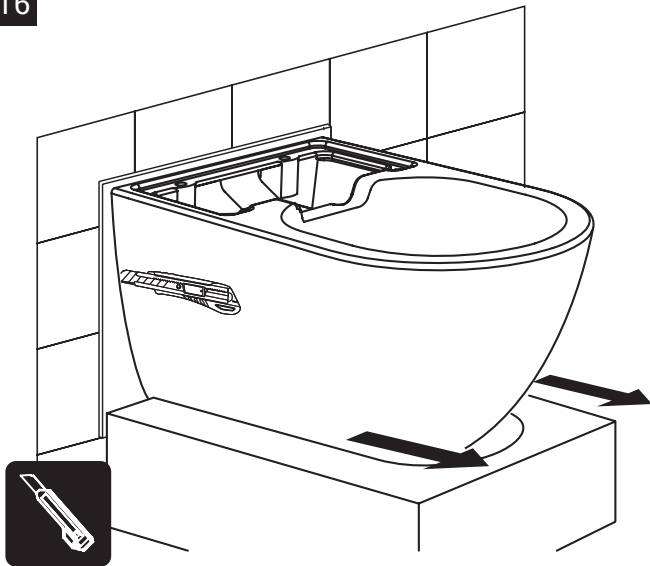
14



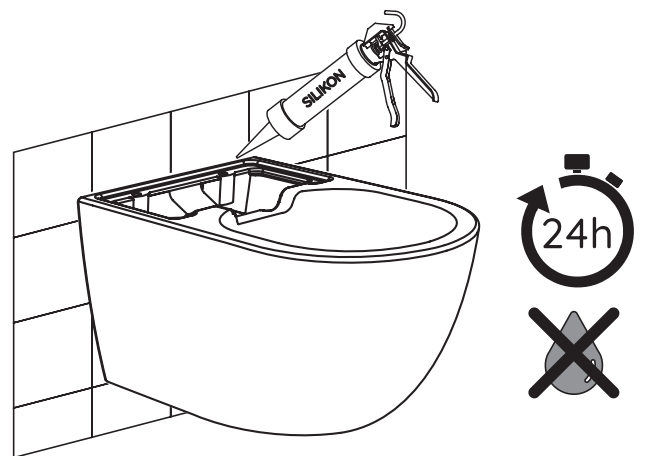
15



16

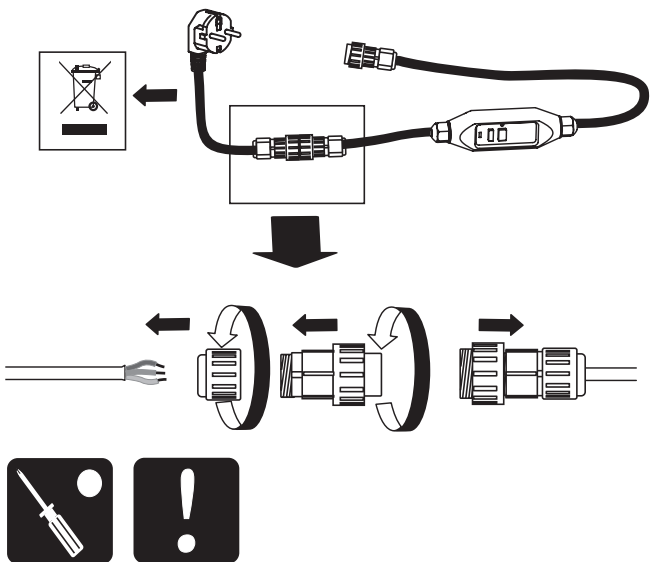


17

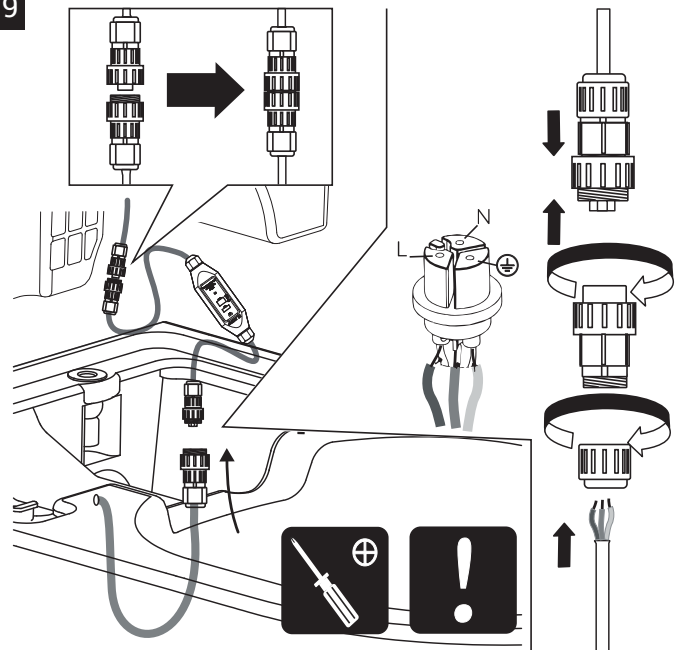


EN Acid free silicone
 DE Säurefreies Silikon
 FR Silicone sans acide

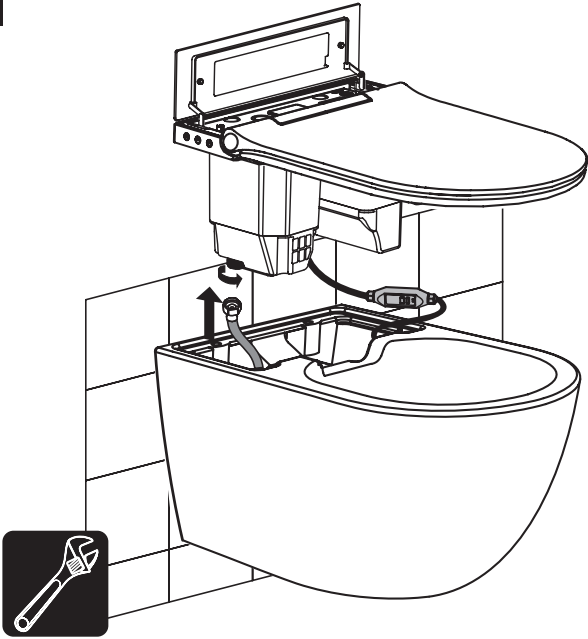
18



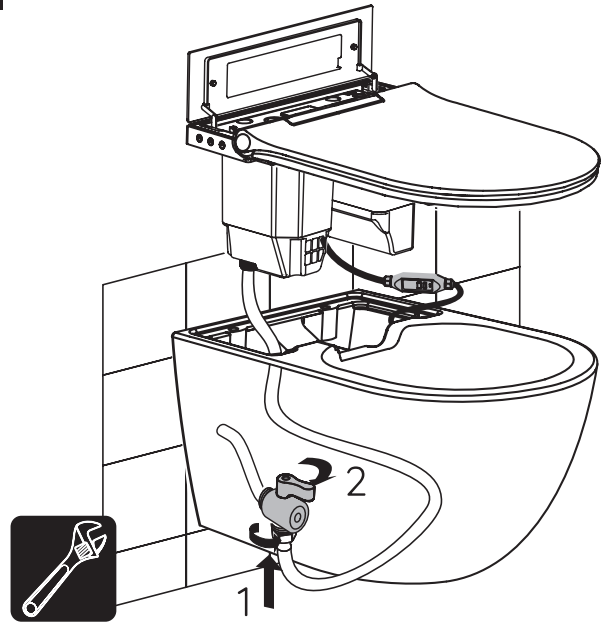
19



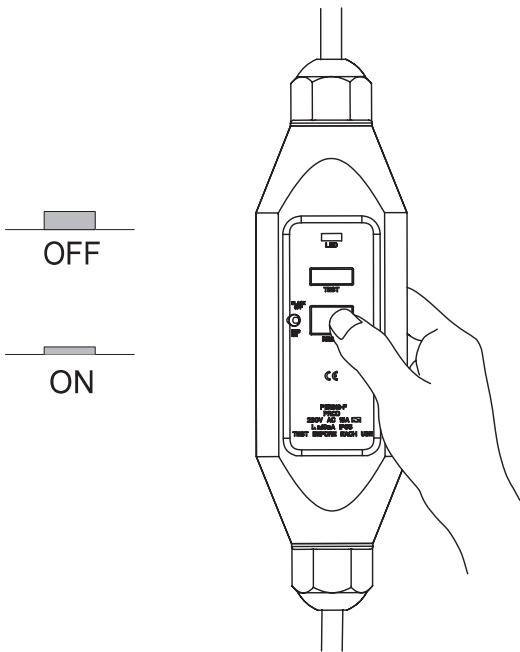
20



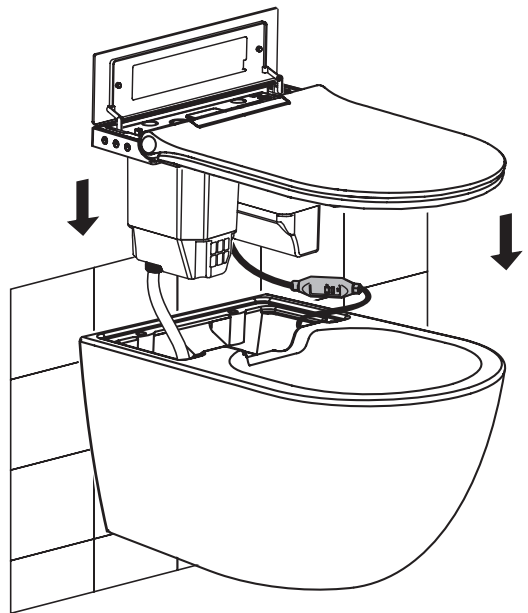
21



22



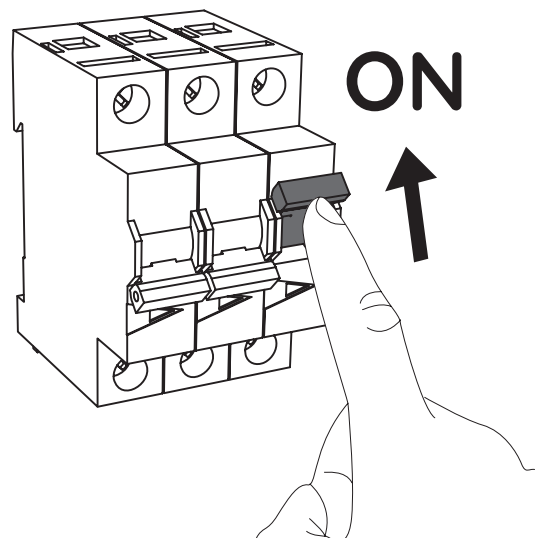
23



24

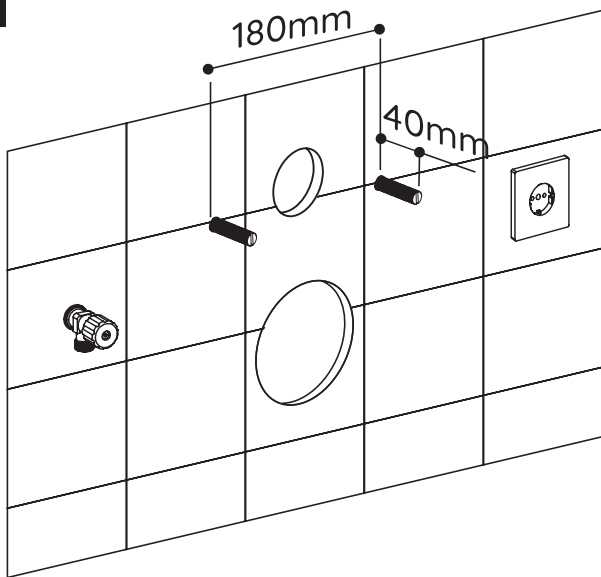


25

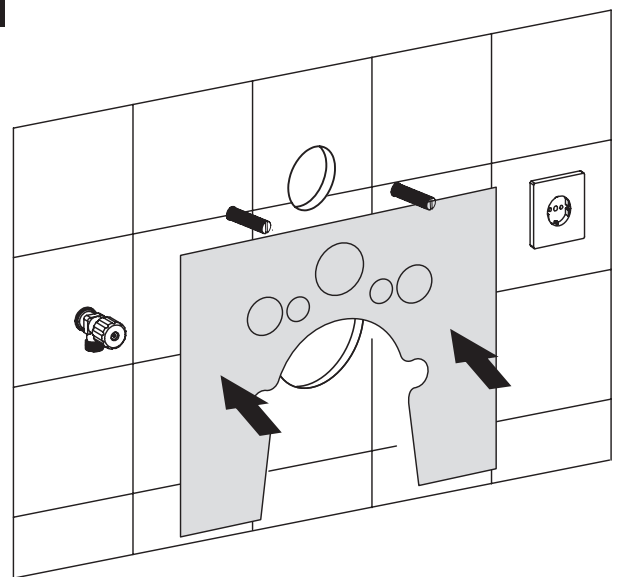


INSTALLATION TYPE B

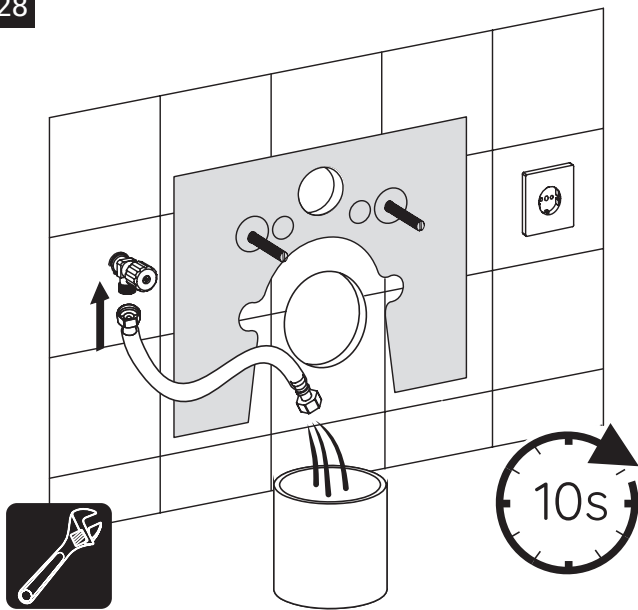
26



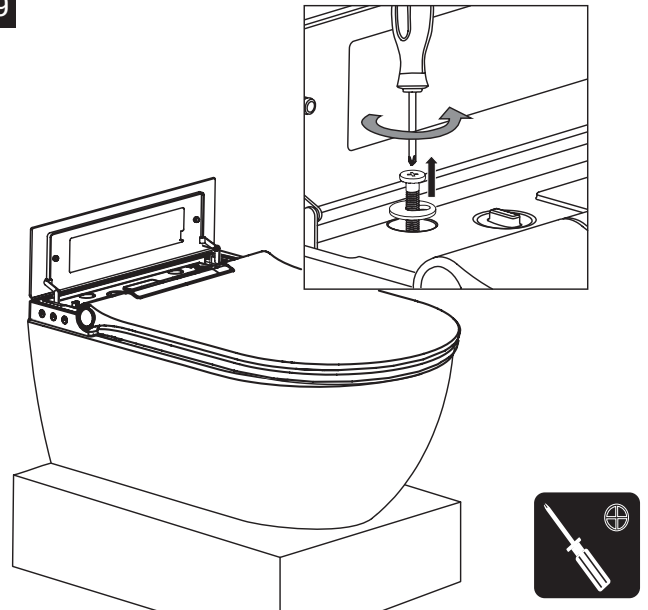
27



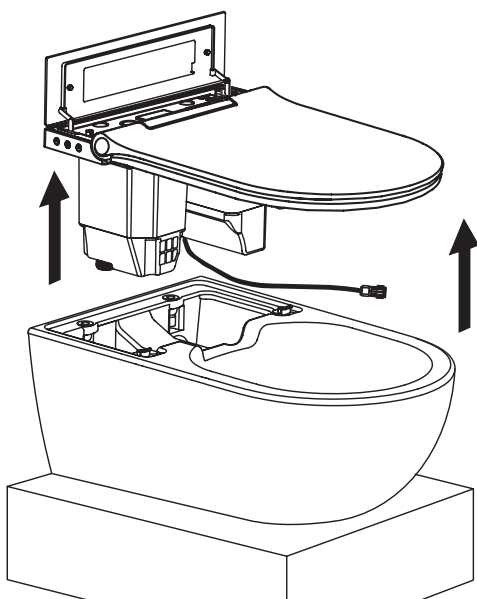
28



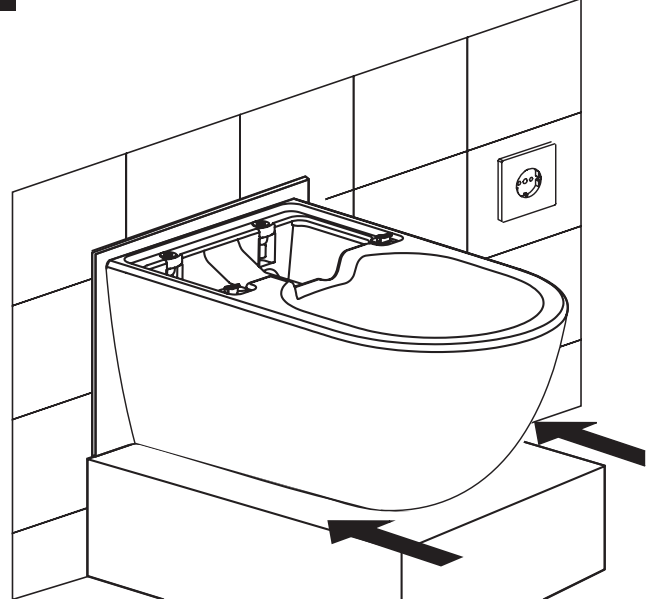
29



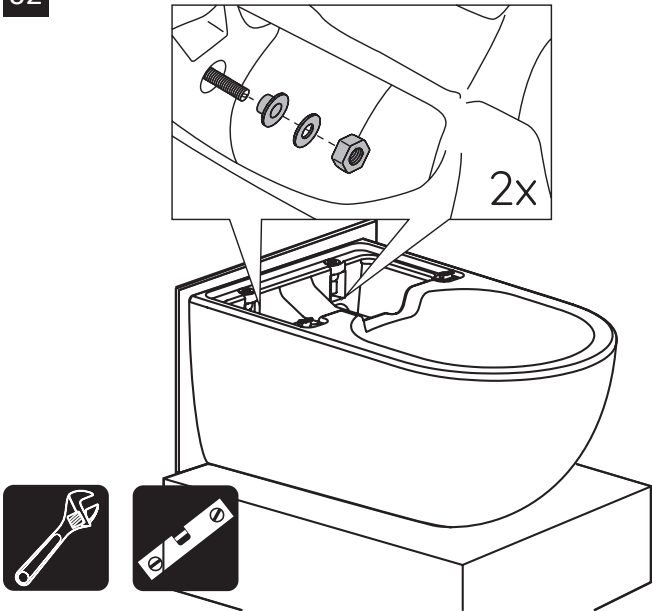
30



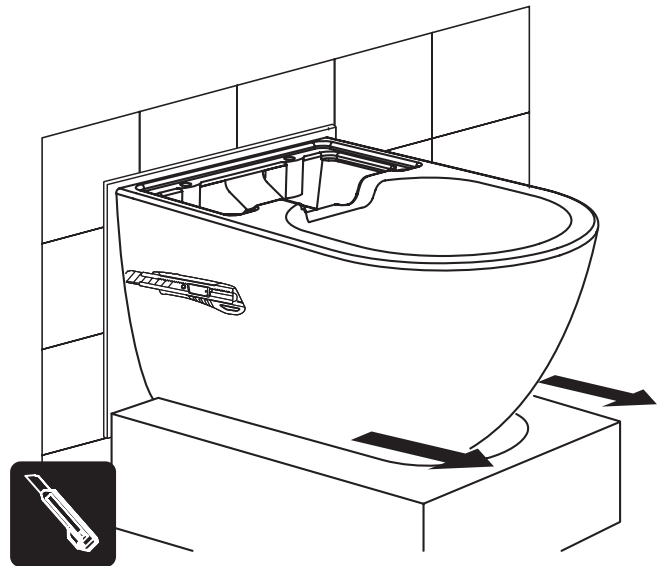
31



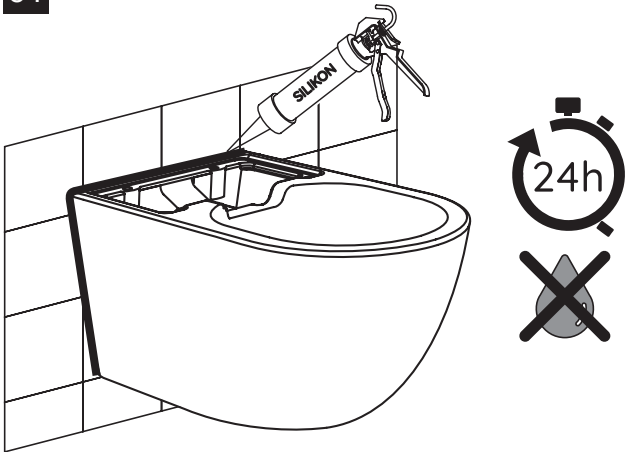
32



33

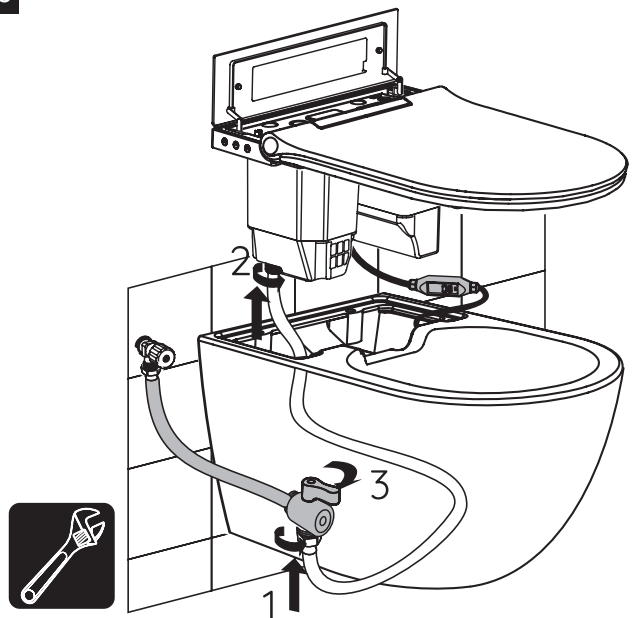


34

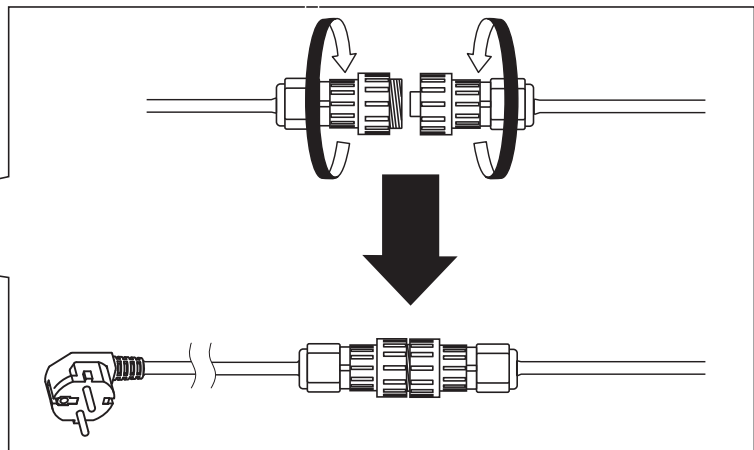
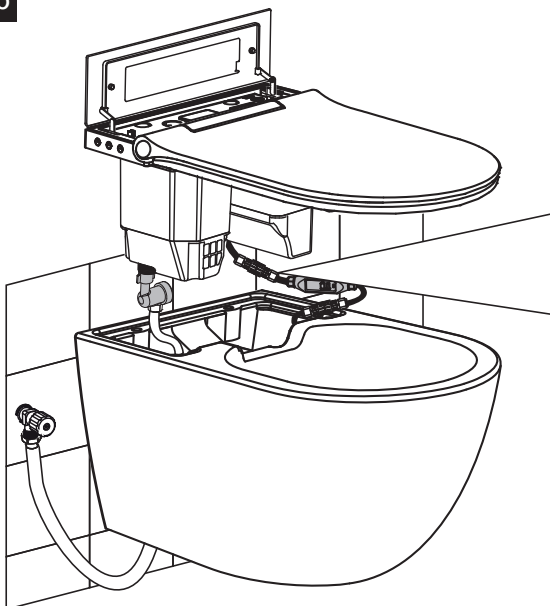


EN Acid free silicone
 DE Säurefreies Silikon
 FR Silicone sans acide

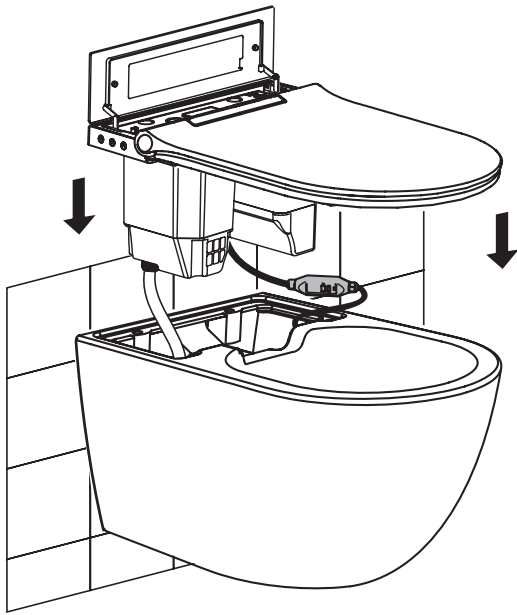
35



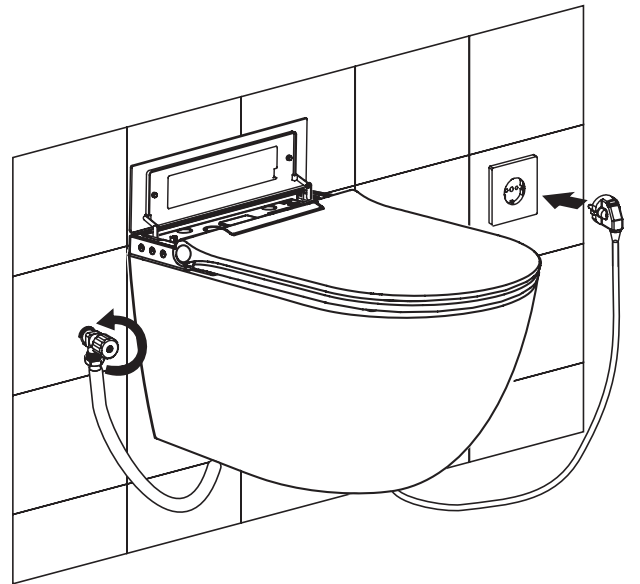
36



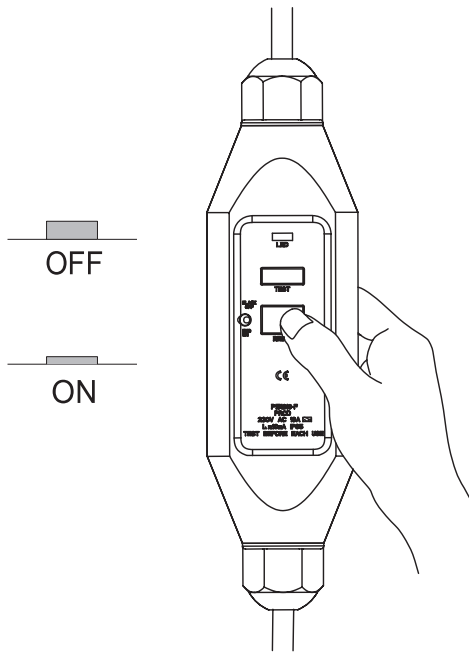
37



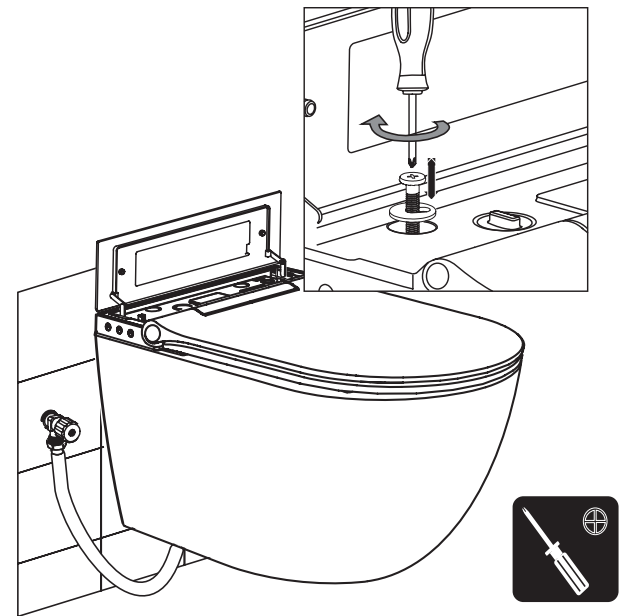
38



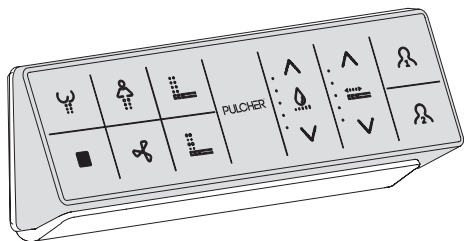
39



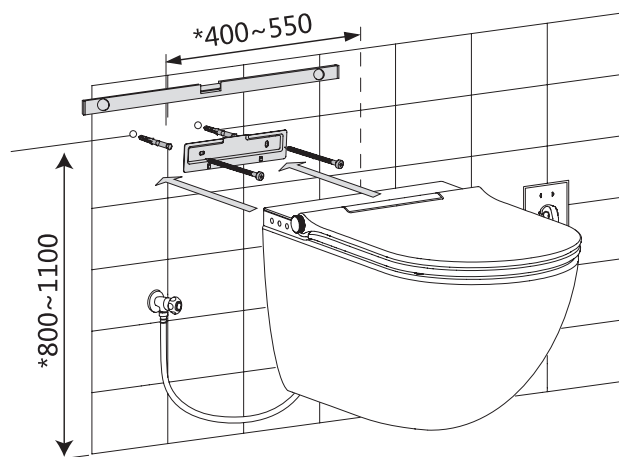
40



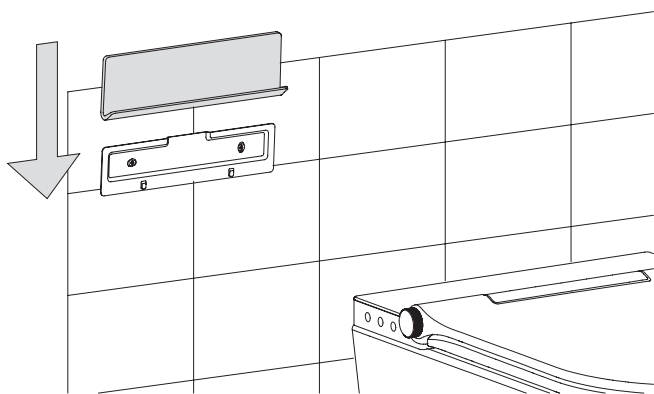
41



42



43



44

