
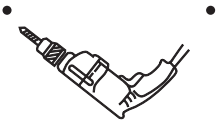
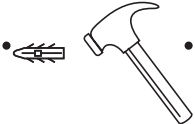
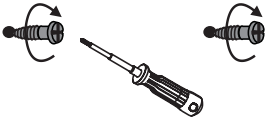
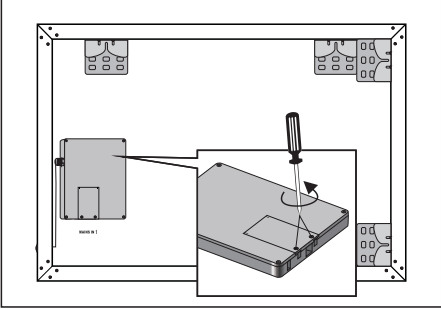
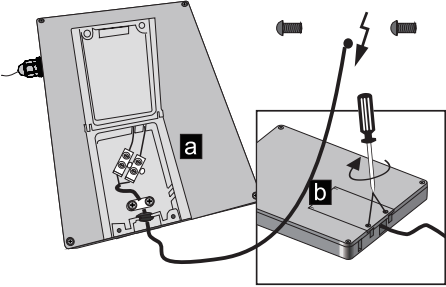
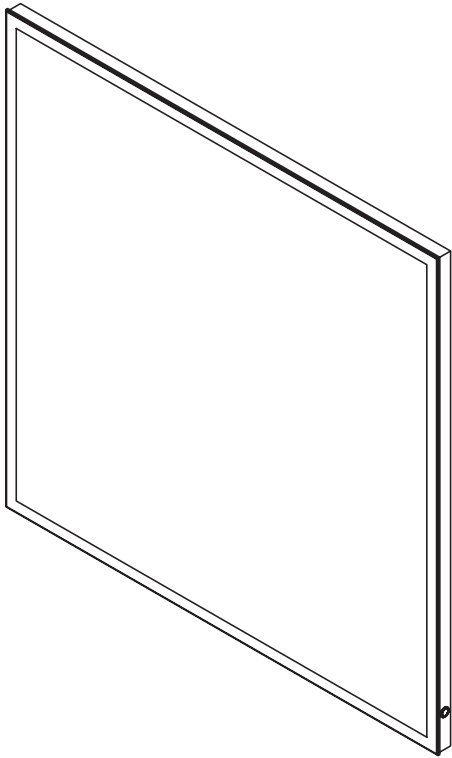
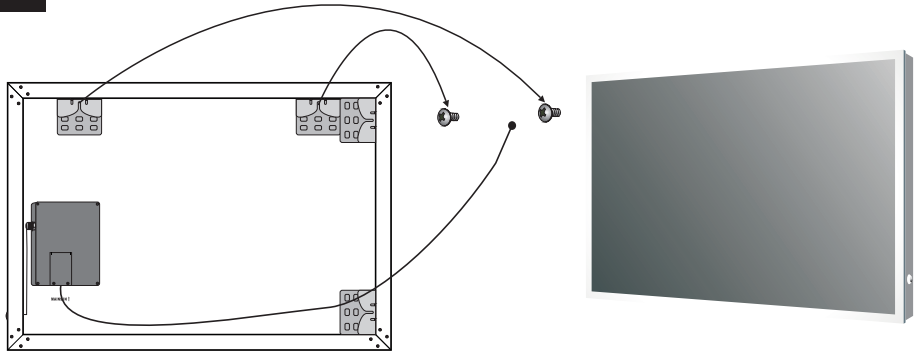


KUBIC LIGHT DIMMABLE LED MIRROR



INSTALLATION INSTRUCTIONS

1 	2 
3 	4 
5 	6 

**7**


SENSOR INSTRUCTIONS

1. On/Off

Press the sensor shortly, the light will be turned on/off.

2. To dim 20% 100%

When the light is on, press the sensor for more than 1 second, the brightness level will be dimmed. When you move the finger away from the sensor, the brightness will remain at the last level set. The brightest or the darkest level will stop.

3. Adjustable color temperature 2700K 6500K

When the light is off, press the sensor for more than 1 second, the light will be on and the color temperature will be changed. When you move the finger away from the sensor, the color temperature will remain at the last level set. The coldest or warmest level will stop.