

BIG A 04

WALL BALL



INSTALLATION MANUAL

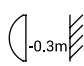
Read this instruction carefully before commencing installation and keep it for future reference.


Always switch off the mains before installation or maintenance.

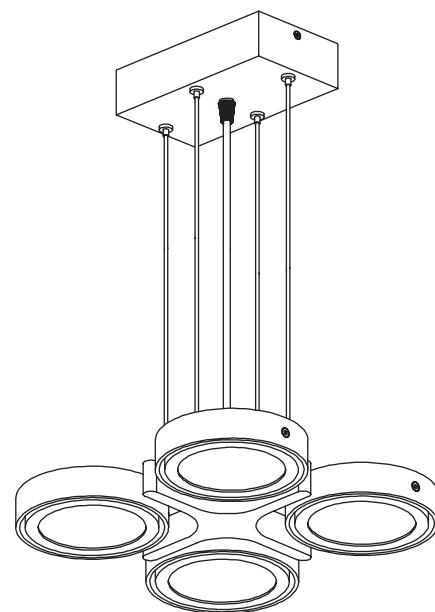
Keep the product far from heat sources and in a well ventilated area.

The installation or maintenance should be carried out by a qualified electrician.

This product contains a light source of energy efficiency class <G>.

 The minimum distance from the luminaire to any lighted objects shall be kept at least 0.3m.

 The light source contained in this luminaire shall only be replaced by the manufacturer or his service agent or a similar qualified person.



IP21 RoHS    

