

SANITARY FIXING SYSTEMS

PULCHER®

INSTALLATION INSTRUCTION

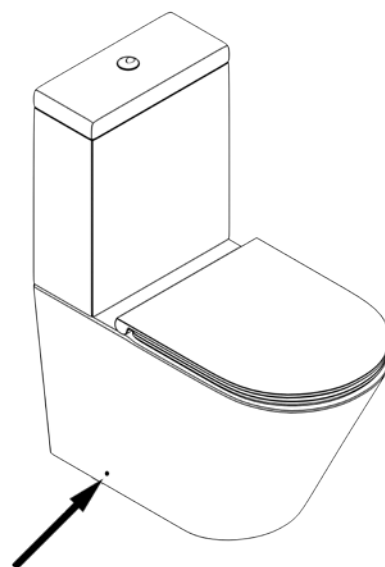
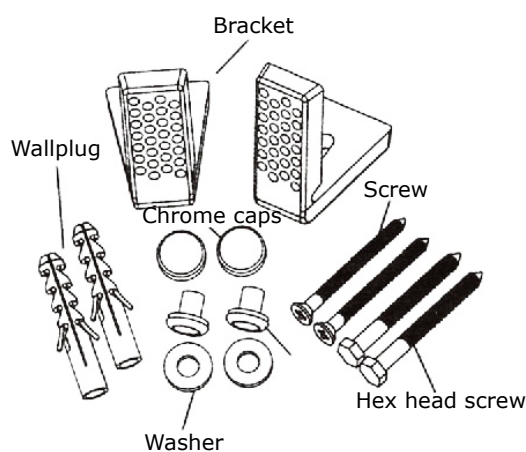
A6003

WC, BIDET&SEMI-PED FIXING SET

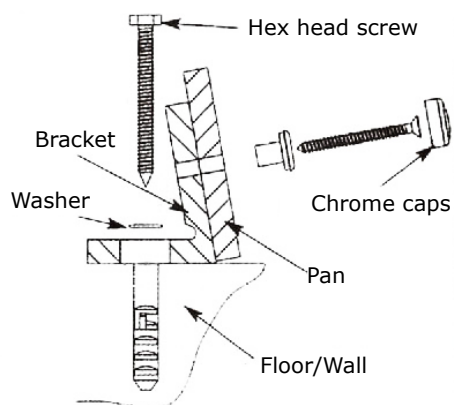
Usage for fixing of: standing toilets and bidets

CONTENTS

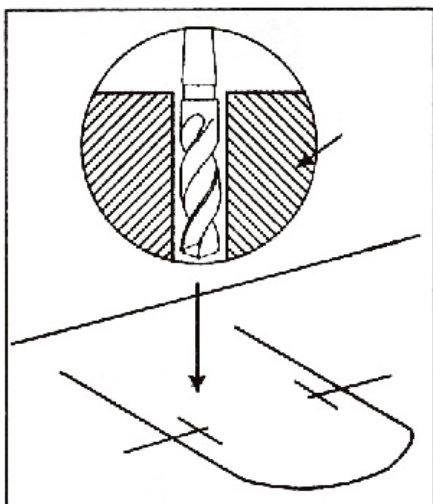
1	2x Floor brackets
2	2x Wallplugs S10x50
3	2x Hex head screw 6x60
4	2x Washers
5	2x St. steel screw 5x60
6	2x Nylon bushes
7	2x Chrome caps



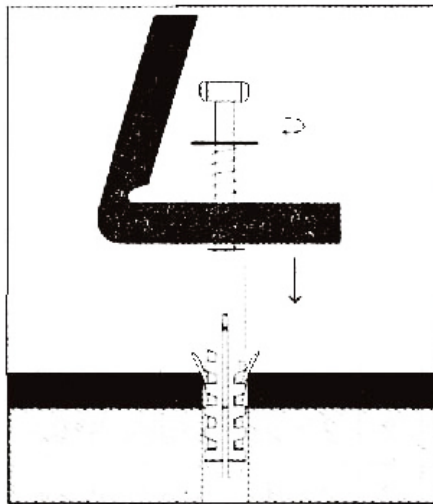
METHOD OF FIXING PAN TO FLOOR/WALL



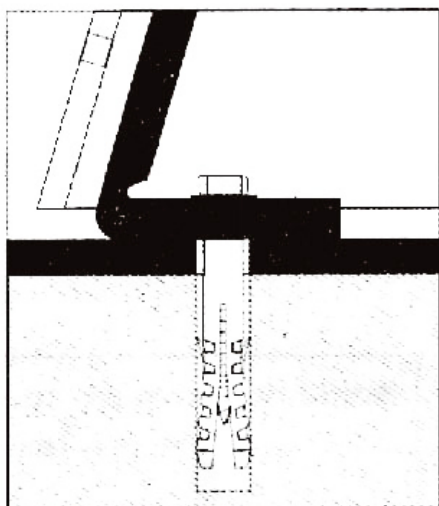
INSTALLATION



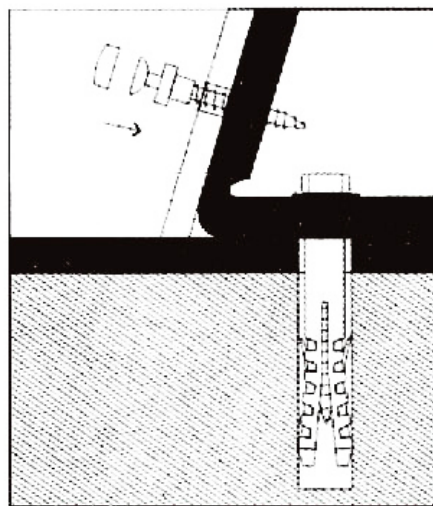
Drill Dia 10mm,
min. drill hole depth 60mm



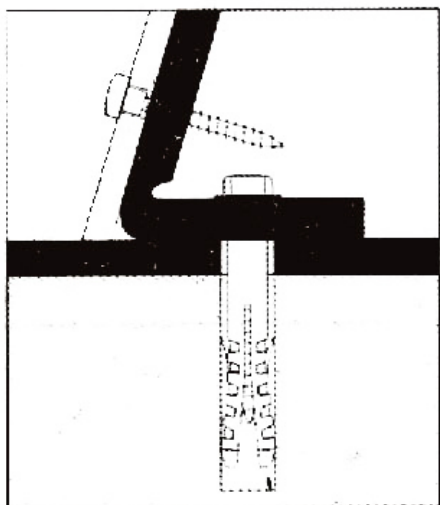
Tighten fixation bracket



Put on the new toilet/pedestal

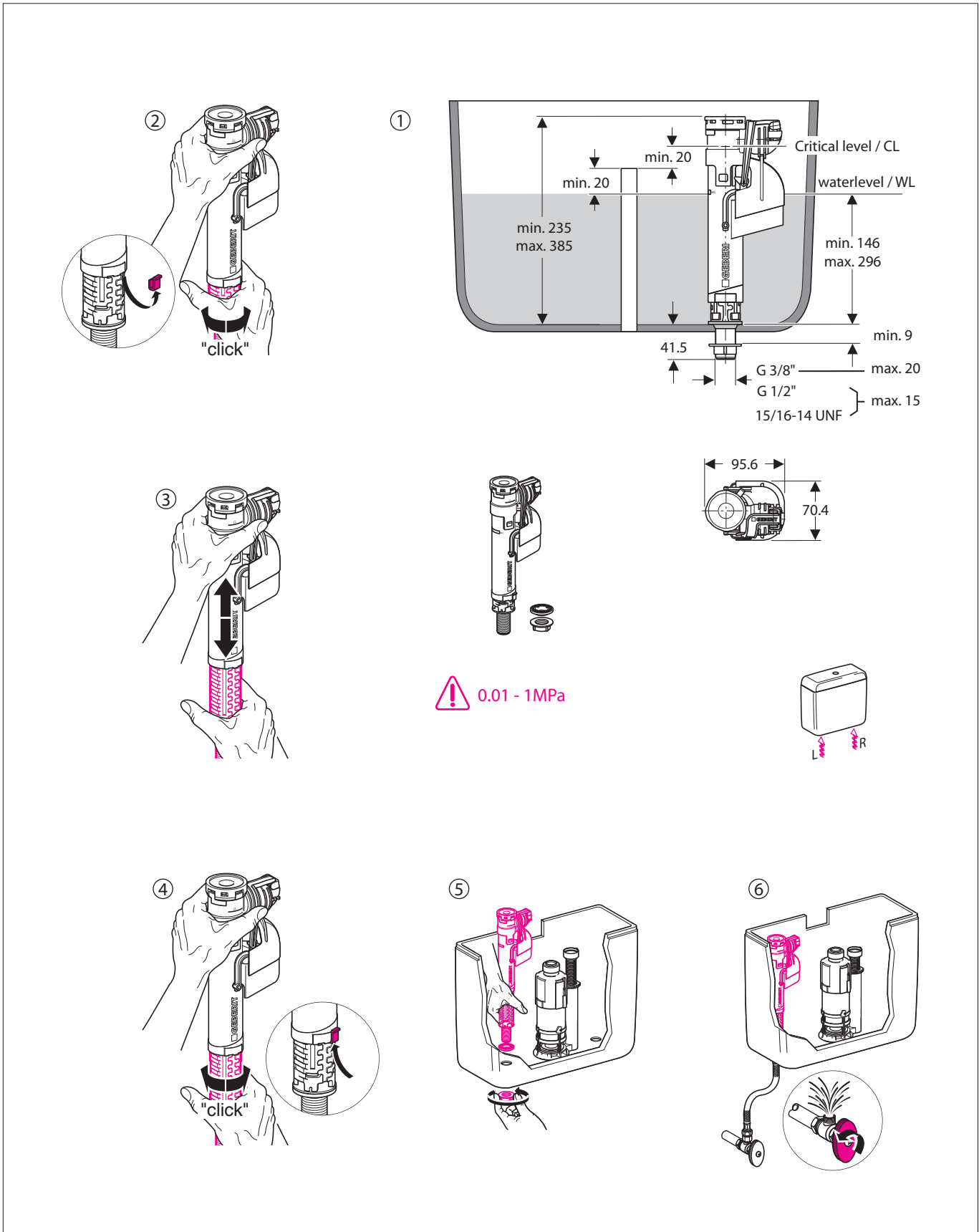
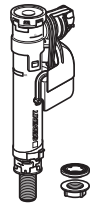


Tighten the screws

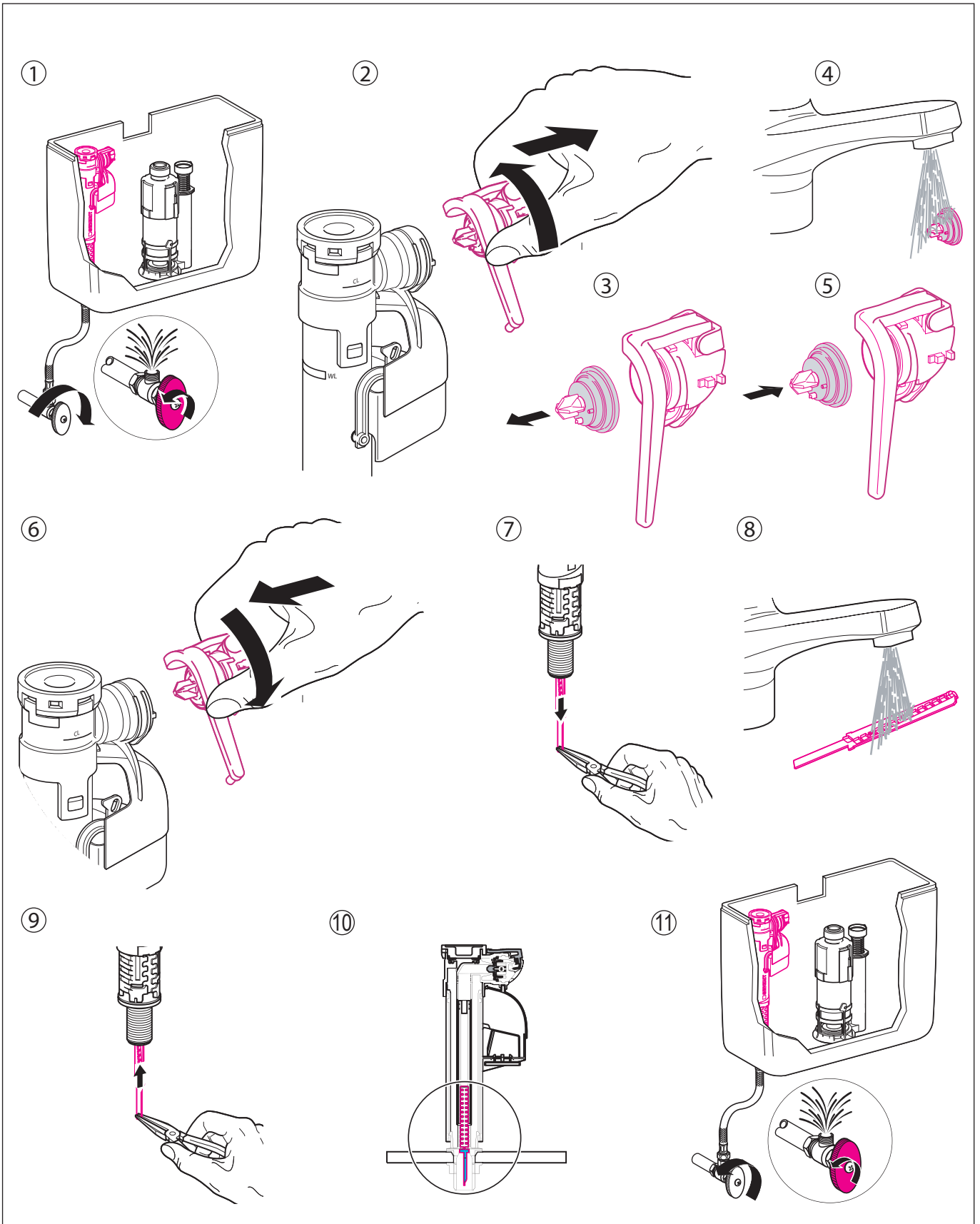
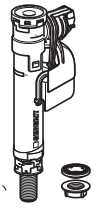


Put on the chrome caps

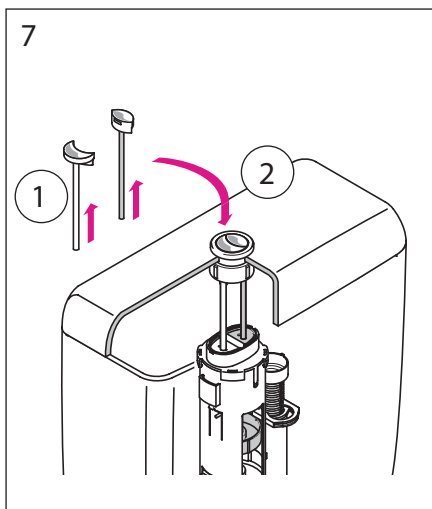
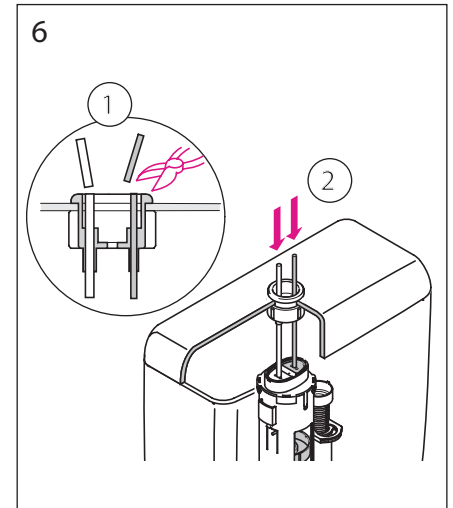
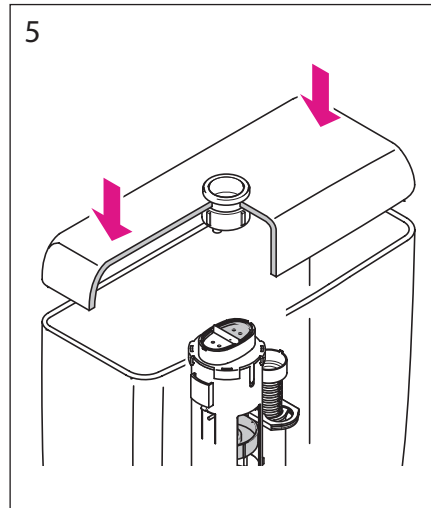
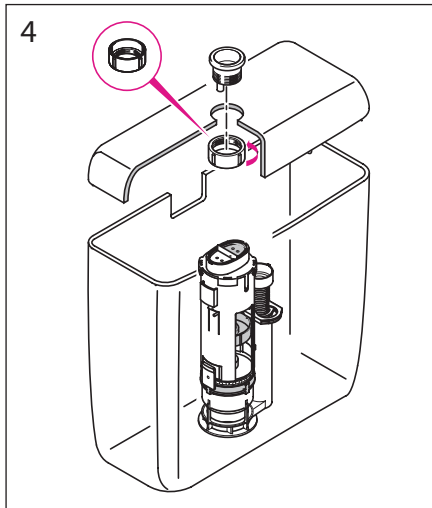
Geberit Product Installation-inlet valve "Impuls360"



Geberit Product Installation-inlet valve "Impuls360"



Geberit Product Installation-outlet valve “Impuls250”



Service 

■ GEBERIT

Geberit Product Installation-outlet valve "Impuls250"

